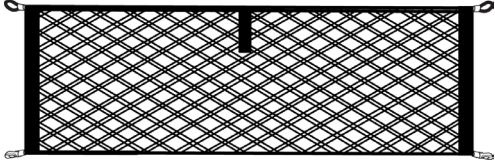
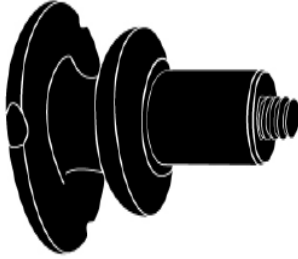

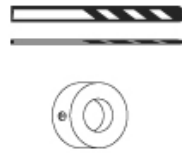














A	KIT CONTENTS:	B	2x	C	2x
					

**TOOLS REQUIRED:**



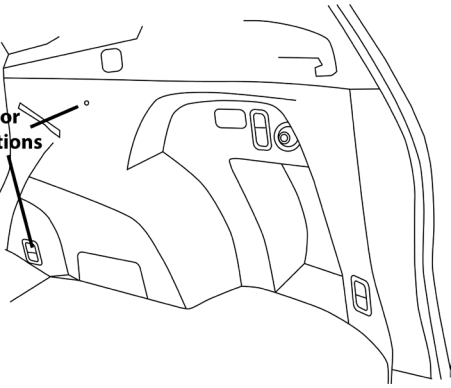
(1/2") 13mm Drill Bit  
(1/4") 6mm Drill Bit  
Drill Stop

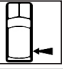

**Meaning of Characters:**

-  : Remove
-  : Install
-  : Disconnect
-  : Connect
-  : Location of pre-arranged mark
-  : Driver side rear cargo area
-  : Passenger side rear cargo area
-  : Tightening Torque
-  : Loosen
-  : Discard
-  : Recyclable
-  : View

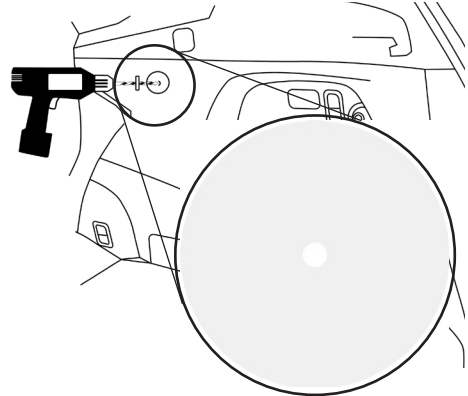
1 

Anchor Locations

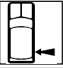



2   
 (1/4") 6mm

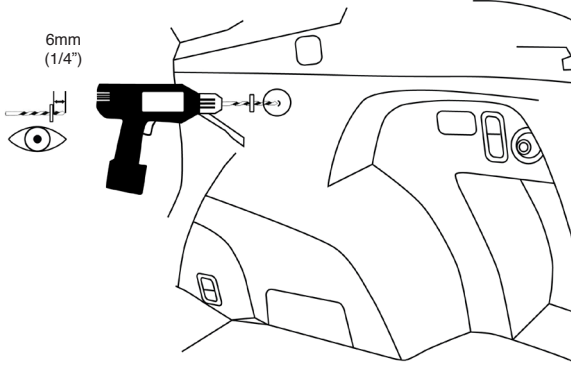
6mm (1/4")



Note: Look for dimpled, untextured area.

3   
 (1/2") 13mm

6mm (1/4")

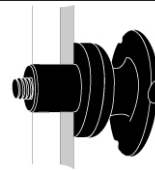


4 



Note: Spacer must be connected to mushroom assembly prior to installing into panel

4b

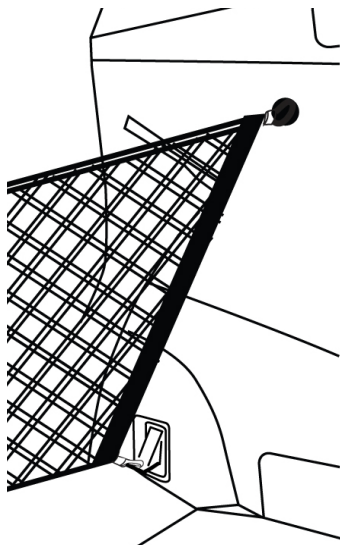


4c

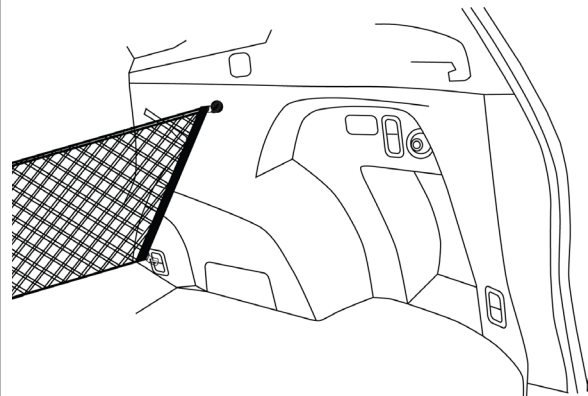


Note: Hand tighten mushroom anchor into panel until snug

5 



6 



Note: Installation is identical for opposite side of vehicle.